



**ULTIMATRON
FRANCE**

**5 YEARS
WARRANTY**

Technical sheet

Ultimatron Polar--Underseat of Camping Car 12.8V 150Ah



-35°C



Compared with traditional batteries, our lithium battery (LiFePO4) with these advantages

- Din Case H8/LN5 (355×175×188mm)
- Integrated Heater, can be charged at the extreme environment in **-35°C**.
- 5 year manufacturer's warranty
- The safest technology, without risk of fire or explosion
- Long service life
- Constantly improving storage capacity
- High stability even under extreme loads
- No memory effect, no need for full charge and discharge cycles
- High performance even under extreme conditions
- Deep and regular discharge and charging efficiency

Integrated Battery Management System (BMS)

To allow the control and the charge of the different elements of an accumulator battery and to protect it against overcharging, overvoltages and overheating.



**Note:
Parallel Connection Only**

**Integrated
Bluetooth 4.0 monitoring**



You have all important battery data always on your smartphone or tablet. The application displays the data in real time.





Ultimatron Polar--Underseat of Camping Car 12.8V 150Ah

ELECTRICAL PERFORMANCE

Nominal Voltage	12.8 V
Nominal Capacity	150 Ah
Capacity @ 20A	450 min
Energy	1920 Wh
Resistance	≤25 mΩ @ 50% SOC
Self Discharge	<3% / Month
Cells	Prismatic cells 3.2V 50Ah
Number of Cycles	4000@80%D.o.D

CHARGE PERFORMANCE

Recommended Charge Current	45A
Maximum Charge Current	75 A
Recommended Charge Voltage	14.6 V
Charge Cut-Off Voltage	<15V (3000 ms)
Reconnect Voltage	>14.4 V
Balancing Voltage	>13 V

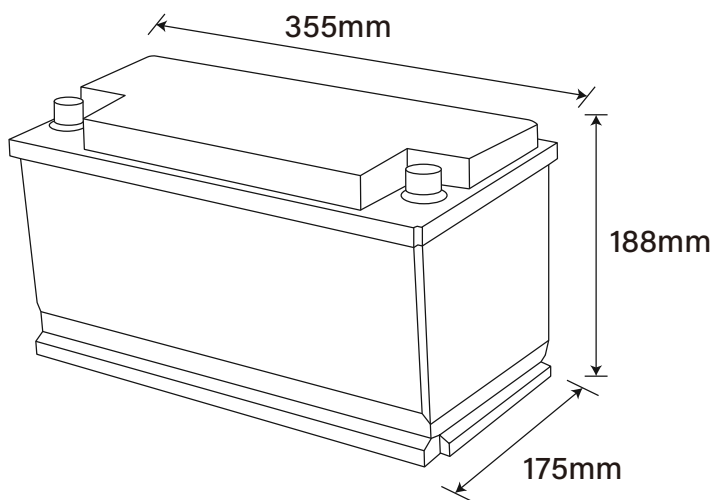
DISCHARGE PERFORMANCE

Continuous Discharge Current	50 A
Maximum continuous Discharge Current	200 A
Peak Discharge Cut-Off Current	220 A (15 ~25 S)- 620A(320 ~1280m S)
Recommended Low Voltage Disconnect	10 V
Discharge Cut-Off Voltage	>8.4 V (1000 ms)
Reconnect Voltage	>10.4 V
Short Circuit Protection	1000-2000A ± 400A (200 ~ 800 μs)

MECHANICAL PERFORMANCE

Weight	16.35 kg
Terminal Type	M8
Terminal Torque	80 ~ 100 in-lbs (9 ~ 11 N-m)
Case Material	ABS
Enclosure Protection	IP65
Bluetooth	Bluetooth 4.0 with smartphone App
Low temperature heating	<0 °C charging and heating

DIMENSION



DIN Standard Dimensions L355 * W175 * H188 mm

TEMPERATURE PERFORMANCE

Discharge Temperature	-20 ~ 75 °C
Charge Temperature	-20 ~ 50 °C ❄️
Heater Working Temperature	-35 ~ 5 °C ❄️
Storage Temperature	-5 ~ 35 °C
High Temperature Cut-Off	65 °C
Reconnect Temperature	48 °C

COMPLIANCE

Certifications	CE UN38.3 UL1642 & IEC62133
Shipping Classification	UN 3480, CLASS 9