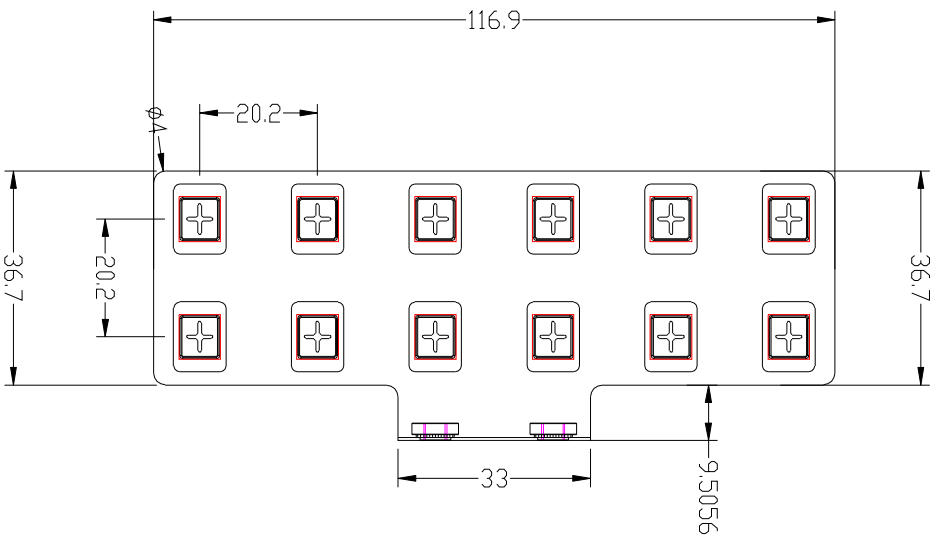
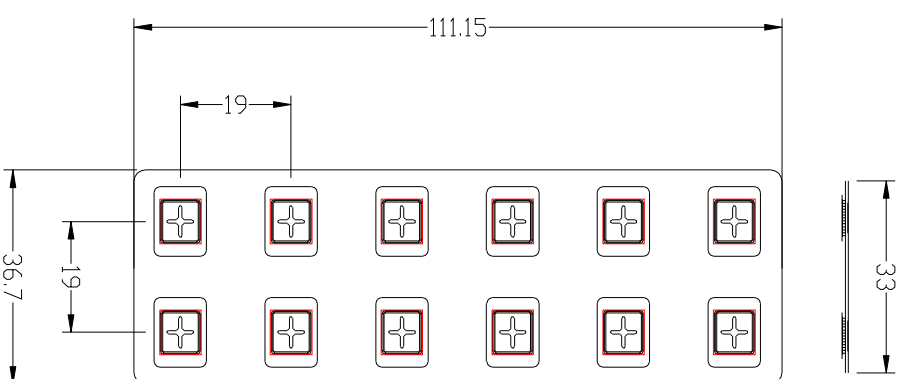
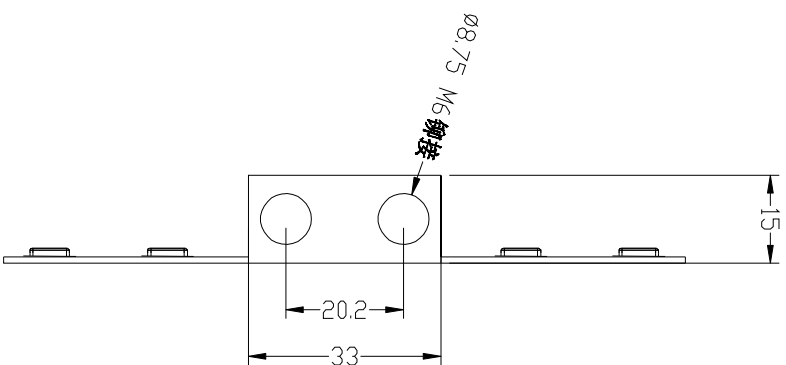


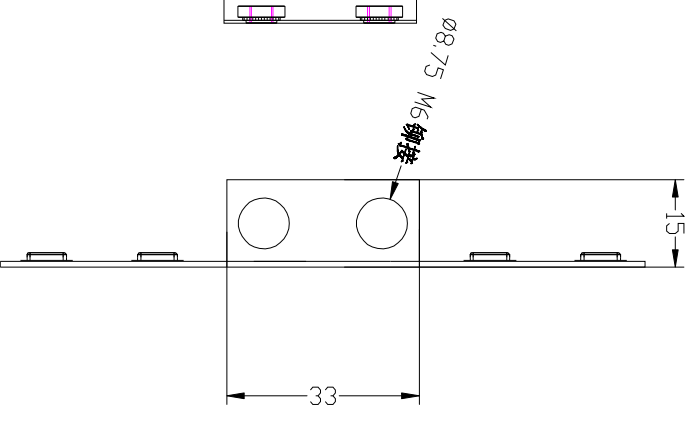
18650 copper nickel busbar with M6 nuts



18650-2X6-20.2



18650-2X6-19



material: 1.0 copper + 0.15
pure nickel 18650 nickel tags